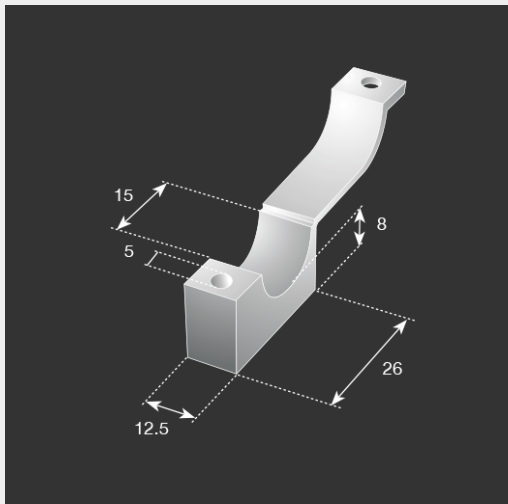


## PLASTIC PIPE CLIPS RANGE

## RANGE SIZE CHARTS



PLASTIC HINGED WRAP OVER CLIPS - SIZE CHART

Size	Bag Qty	Pack Qty
15mm	100	1000
22mm	100	1000
28mm	50	500

## ABOUT THE PRODUCT

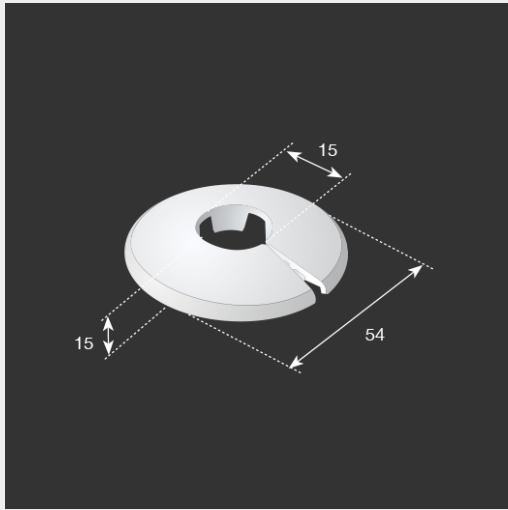
**Description:** Plastic Hinged Wrap Over Clips, Plastic Pipe Supports are designed and manufactured to support BS EN 1057 Copper tube, formerly BS2871 part 1: 1971 Copper tube in small bore sizes. They also have a decorative purpose depending on their application.

**Material:** Manufactured in White High Density Poly Ethylene (Plastic). This is applicable to the Push in, Snap over, Nail In and Wrap over type clips.

**Finishes:** Available in White. Decorative pipe collars are also available in chrome effect plastic finish.

**Connections / Fixing methods:** Metric housing for screw or hardened nail fixing on Push in, Snap over, Nail In, and Wrap over type clips.

**Country of Origin:** China.



## PLASTIC PIPE COLLARS - SIZE CHART

Size	Bag Qty	Pack Qty	Part No. - Chrome
15mm	10		PL1550CP
22mm	10		PL2250CP
28mm	10		PL2850CP

## ABOUT THE PRODUCT

**Description:** Plastic Pipe Collars - Plastic Pipe Supports are designed and manufactured to support BS EN 1057 Copper tube, formerly BS2871 part 1: 1971 Copper tube in small bore sizes. They also have a decorative purpose depending on their application.

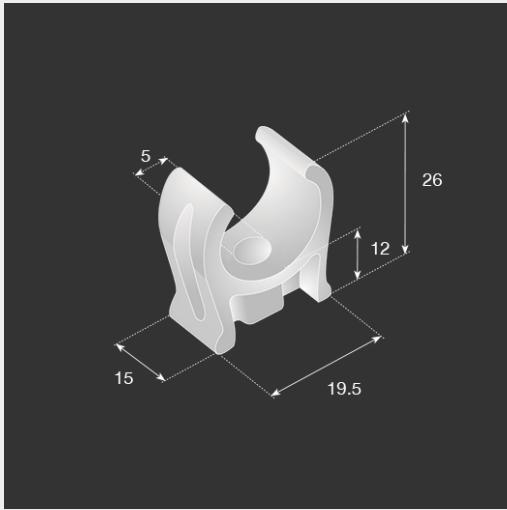
**Material:** Manufactured in White High Density Poly Ethylene (Plastic). This is applicable to the Push in, Snap over, Nail In and Wrap over type clips.

**Finishes:** Available in White. Decorative pipe collars are also available in chrome effect plastic finish.

**Connections / Fixing methods:** Metric housing for screw or hardened nail fixing on Push in, Snap over, Nail In, and Wrap over type clips.

**Country of Origin:** China.

---



Size	Bag Qty	Pack Qty
15mm	100	1000
22mm	100	1000
28mm	100	600

## ABOUT THE PRODUCT

**Description:** Plastic Open Push In Clips, Plastic Pipe Supports are designed and manufactured to support BS EN 1057 Copper tube, formerly BS2871 part 1: 1971 Copper tube in small bore sizes. They also have a decorative purpose depending on their application.

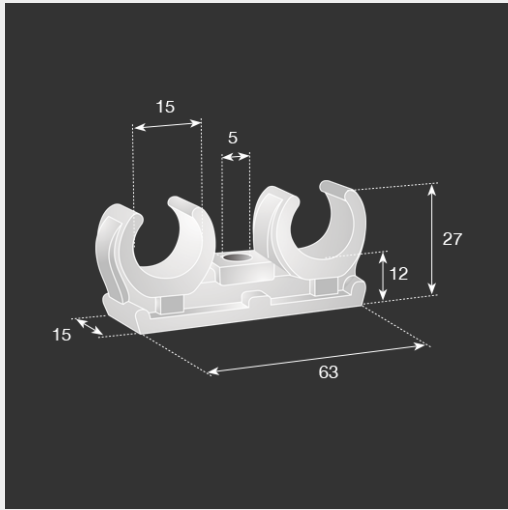
**Material:** Manufactured in White High Density Poly Ethylene (Plastic). This is applicable to the Push in, Snap over, Nail In and Wrap over type clips.

**Finishes:** Available in White. Decorative pipe collars are also available in chrome effect plastic finish.

**Connections / Fixing methods:** Metric housing for screw or hardened nail fixing on Push in, Snap over, Nail In, and Wrap over type clips.

**Country of Origin:** China.

---



## PLASTIC OPEN DOUBLE PUSH IN PIPE CLIPS - SIZE CHART

Size	Bag Qty	Pack Qty
15mm	100	600
22mm	100	500
28mm	25	300

## ABOUT THE PRODUCT

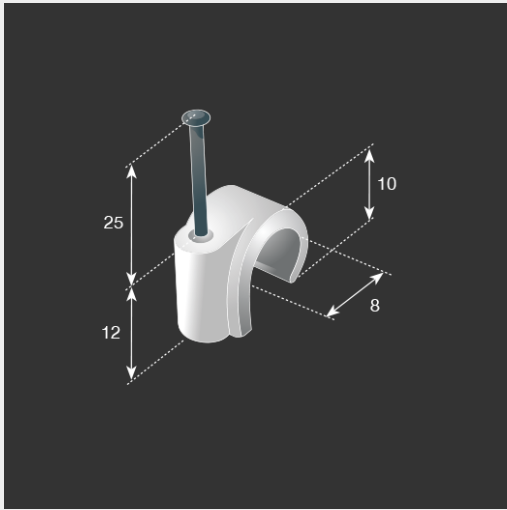
**Description:** Plastic Open Double Push In Pipe Clips, Plastic Pipe Supports are designed and manufactured to support BS EN 1057 Copper tube, formerly BS2871 part 1: 1971 Copper tube in small bore sizes. They also have a decorative purpose depending on their application.

**Material:** Manufactured in White High Density Poly Ethylene (Plastic). This is applicable to the Push in, Snap over, Nail In and Wrap over type clips.

**Finishes:** Available in White. Decorative pipe collars are also available in chrome effect plastic finish.

**Connections / Fixing methods:** Metric housing for screw or hardened nail fixing on Push in, Snap over, Nail In, and Wrap over type clips.

**Country of Origin:** China.



PLASTIC NAIL IN PIPE CLIPS - SIZE CHART		
Size	Bag Qty	Pack Qty
8mm	100	1000
10mm	100	1000
15mm	100	1000
22mm	100	1000
28mm	100	1000

## ABOUT THE PRODUCT

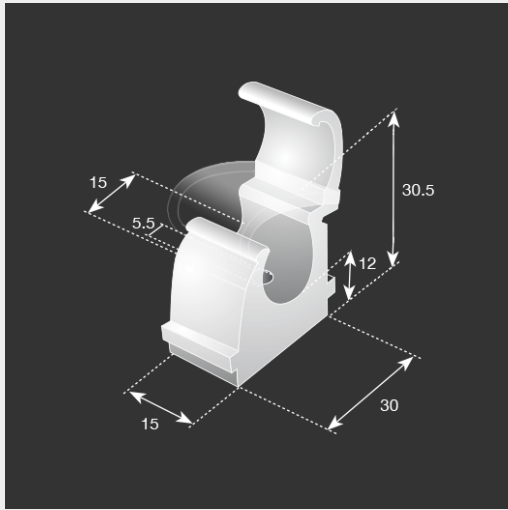
**Description:** Plastic Nail In Pipe Clips, Plastic Pipe Supports are designed and manufactured to support BS EN 1057 Copper tube, formerly BS2871 part 1: 1971 Copper tube in small bore sizes. They also have a decorative purpose depending on their application.

**Material:** Manufactured in White High Density Poly Ethylene (Plastic). This is applicable to the Push in, Snap over, Nail In and Wrap over type clips.

**Finishes:** Available in White. Decorative pipe collars are also available in chrome effect plastic finish.

**Connections / Fixing methods:** Metric housing for screw or hardened nail fixing on Push in, Snap over, Nail In, and Wrap over type clips.

**Country of Origin:** China.



PLASTIC HINGED SNAP OVER PIPE CLIPS - SIZE CHART		
Size	Bag Qty	Pack Qty
15mm	100	1000
22mm	100	600
28mm	50	300

## ABOUT THE PRODUCT

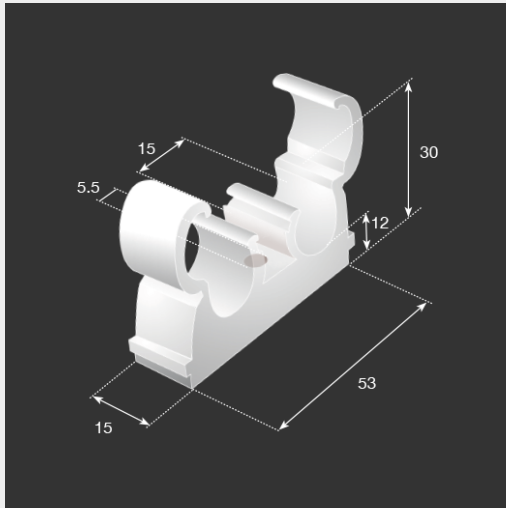
**Description:** *Plastic Hinged Snap Over Pipe Clips* - Plastic Pipe Supports are designed and manufactured to support BS EN 1057 Copper tube, formerly BS2871 part 1: 1971 Copper tube in small bore sizes. They also have a decorative purpose depending on their application.

**Material:** Manufactured in White High Density Poly Ethylene (Plastic). This is applicable to the Push in, Snap over, Nail In and Wrap over type clips.

**Finishes:** Available in White. Decorative pipe collars are also available in chrome effect plastic finish.

**Connections / Fixing methods:** Metric housing for screw or hardened nail fixing on Push in, Snap over, Nail In, and Wrap over type clips.

**Country of Origin:** China.



## PLASTIC DOUBLE HINGED SNAP OVER PIPE CLIPS - SIZE CHART

Size	Bag Qty	Pack Qty
15mm	50	500
22mm	50	300
28mm	50	200

## ABOUT THE PRODUCT

**Description:** Double Hinged Snap Over Pipe Clips, Plastic Pipe Supports are designed and manufactured to support BS EN 1057, Copper tube, formerly BS2871 part 1: 1971 Copper tube in small bore sizes. They also have a decorative purpose depending on their application.

**Material:** Manufactured in White High Density Poly Ethylene (Plastic). This is applicable to the Push in, Snap over, Nail In and Wrap over type clips.

**Finishes:** Available in White. Decorative pipe collars are also available in chrome effect plastic finish.

**Connections / Fixing methods:** Metric housing for screw or hardened nail fixing on Push in, Snap over, Nail In, and Wrap over type clips.

**Country of Origin:** China.

---

Every effort has been made to ensure the accuracy of data within these pages. We cannot however be held liable for any discrepancies that may arise between this data and actual product. The dimensions are provided as a guide and we recommend contacting a company representative for confirmation. Greenaway Pipeline Products Ltd reserve the right to make changes without notice at any time.

**Sales:** 01922 743 322

**Email:** [enquiries@greenaways.co.uk](mailto:enquiries@greenaways.co.uk)

**Web:** <https://greenaways.co.uk>