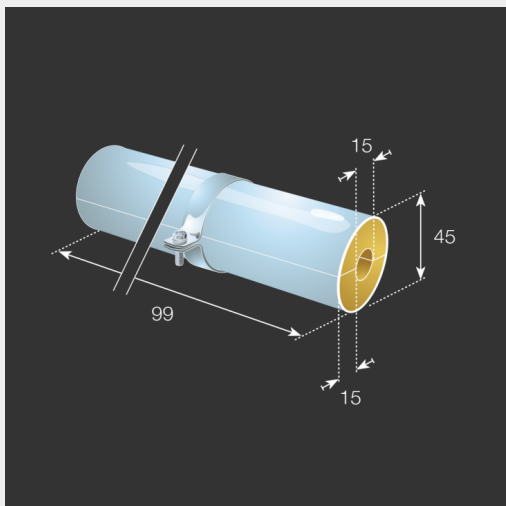


PHENOLIC BLOCK SUPPORTS RANGE

RANGE SIZE CHARTS



15MM PHENOLIC BLOCK TO SUIT COPPER TUBE - SIZE CHART

Size	Bag Qty	Pack Qty	Part No. - Phenolic
15mm		120	FA1515
22mm		96	FA2215
28mm		76	FA2815
35mm		64	FA3515
42mm		54	FA4215
54mm		35	FA5415
67mm			FA6715
76mm			FA7615
108mm			FA9815
133mm			FA9315
159mm			FA9915

ABOUT THE PRODUCT

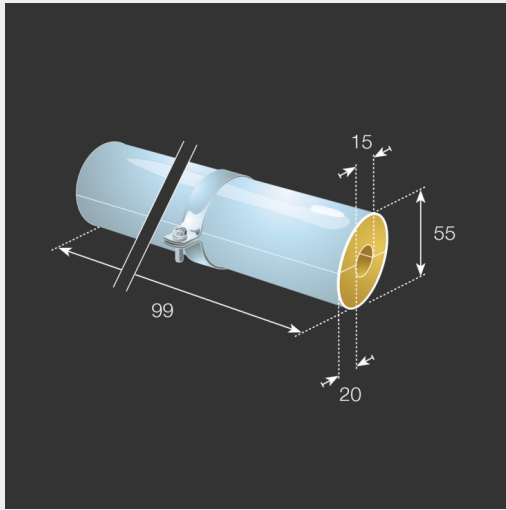
Description: 15mm PHENOLIC BLOCK Supports are used when thermal insulation of pipework and ducting is required. The primary function of the insulated pipe support is to isolate the pipework from the pipe support bracket itself in order to limit heat transfer to and from the pipework system whilst also limiting thermal bridging. The purpose of this is to allow a continuous vapour barrier to be carried through the support system. They are designed to support compressive loads imposed on pipework carrying water and other liquids at ambient temperatures.

Material: Phenolic supports are manufactured by Kingspan under the branding of 'Kooltherm'. The Phenolic support blocks are manufactured from a closed-cell rigid material and have a high-density foam appearance.

Finishes: The Phenolic supports are bore coated and are CFC / HCFC free with a density of either 60, 80, or 120 kg/m³. The blocks are manufactured using both 'cut from block' and 'continuous' production methods and subsequently have either a grey or pink finish with a factory-applied branded foil to their outer.

Connections / Fixing Methods: The Phenolic supports are predominantly held in place around the pipework with a suitable metal pipe bracket, allowing fixings to be connected to the bracket whilst this remains isolated from the pipework.

Country of Origin: UK



20MM PHENOLIC BLOCK TO SUIT COPPER TUBE - SIZE CHART

Size	Bag Qty	Pack Qty	Part No. - Phenolic
15mm		80	FA1520
22mm		67	FA2220
28mm		55	FA2820
35mm		48	FA3520
42mm		40	FA4220
54mm		25	FA5420
67mm		20	FA6720
76mm		22	FA7620
108mm		12	FA9820
133mm			FA9320
159mm			FA9920

ABOUT THE PRODUCT

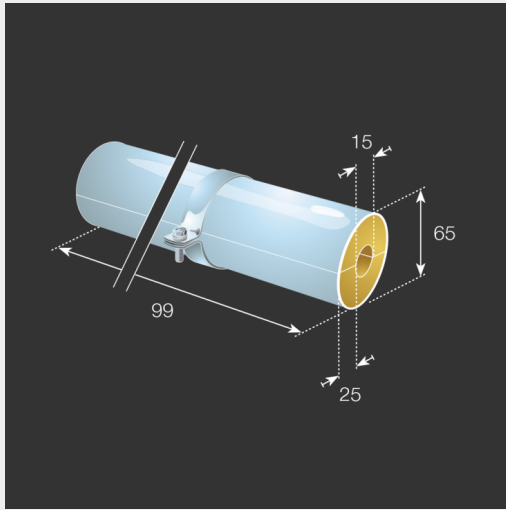
Description: 20mm PHENOLIC BLOCK TO SUIT COPPER TUBE - Phenolic Blocks are used when thermal insulation of pipework and ducting is required. The primary function of the insulated pipe support is to isolate the pipework from the pipe support bracket itself in order to limit heat transfer to and from the pipework system whilst also limiting thermal bridging. The purpose of this is to allow a continuous vapour barrier to be carried through the support system. They are designed to support compressive loads imposed on pipework carrying water and other liquids at ambient temperatures.

Material: Phenolic supports are manufactured by Kingspan under the branding of 'Kooltherm'. The Phenolic support blocks are manufactured from a closed cell rigid material and have a high density foam appearance.

Finishes: The Phenolic supports are bore coated and are CFC / HCFC free with a density of either 60, 80 or 120 kg/m3. The blocks are manufactured using both 'cut from block' and 'continuous' production methods and subsequently have either a grey or pink finish with a factory applied branded foil to their outer.

Connections / Fixing Methods: The Phenolic supports are predominantly held in place around the pipework with a suitable metal pipe bracket, allowing fixings to be connected to the bracket whilst this remains isolated from the pipework.

Country of Origin: UK



25MM PHENOLIC BLOCK TO SUIT COPPER TUBE - SIZE CHART

Size	Bag Qty	Pack Qty	Part No. - Phenolic
15mm		55	FA1525
22mm		45	FA2225
28mm		42	FA2825
35mm		34	FA3525
42mm		31	FA4225
54mm		22	FA5425
67mm		16	FA6725
76mm		15	FA7625
108mm		10	FA9825
133mm			FA9325
159mm			FA9925

ABOUT THE PRODUCT

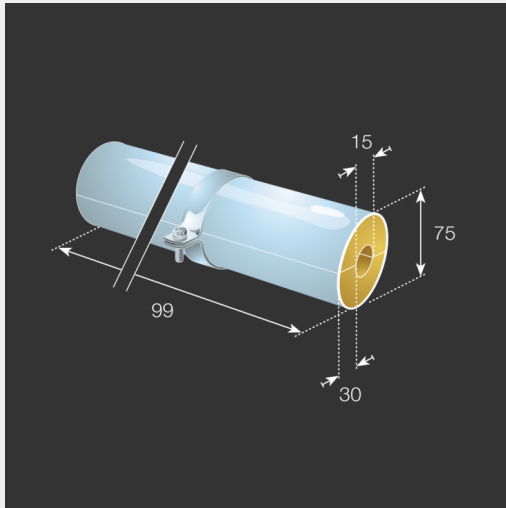
Description: 25mm PHENOLIC BLOCK TO SUIT COPPER TUBE - Phenolic Pipe Support Blocks are used when thermal insulation of pipework and ducting is required. The primary function of the insulated pipe support is to isolate the pipework from the pipe support bracket itself in order to limit heat transfer to and from the pipework system whilst also limiting thermal bridging. The purpose of this is to allow a continuous vapour barrier to be carried through the support system. They are designed to support compressive loads imposed on pipework carrying water and other liquids at ambient temperatures.

Material: Phenolic supports are manufactured by Kingspan under the branding of 'Kooltherm'. The Phenolic support blocks are manufactured from a closed cell rigid material and have a high density foam appearance.

Finishes: The Phenolic supports are bore coated and are CFC / HCFC free with a density of either 60, 80 or 120 kg/m3. The blocks are manufactured using both 'cut from block' and 'continuous' production methods and subsequently have either a grey or pink finish with a factory applied branded foil to their outer.

Connections / Fixing Methods: The Phenolic supports are predominantly held in place around the pipework with a suitable metal pipe bracket, allowing fixings to be connected to the bracket whilst this remains isolated from the pipework.

Country of Origin: UK



30MM PHENOLIC BLOCK TO SUIT COPPER TUBE - SIZE CHART

Size	Bag Qty	Pack Qty	Part No. - Phenolic
15mm		42	FA1530
22mm		36	FA2230
28mm		30	FA2830
35mm		27	FA3530
42mm		24	FA4230
54mm		18	FA5430
67mm		14	FA6730
76mm		12	FA7630
108mm		9	FA9830
133mm			FA9330
159mm			FA9930

ABOUT THE PRODUCT

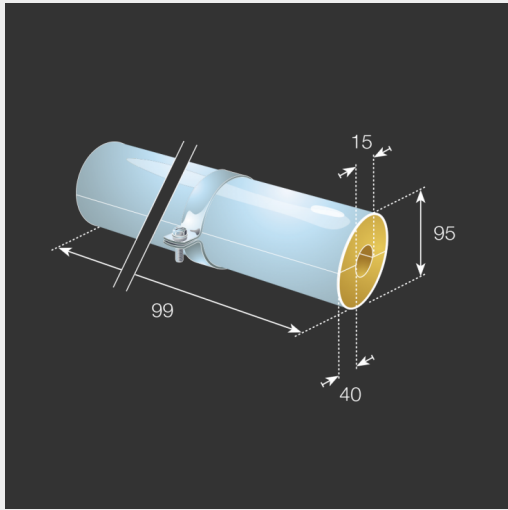
Description: 30mm PHENOLIC BLOCK TO SUIT COPPER TUBE - Phenolic Blocks are used when thermal insulation of pipework and ducting is required. The primary function of the insulated pipe support is to isolate the pipework from the pipe support bracket itself in order to limit heat transfer to and from the pipework system whilst also limiting thermal bridging. The purpose of this is to allow a continuous vapour barrier to be carried through the support system. They are designed to support compressive loads imposed on pipework carrying water and other liquids at ambient temperatures.

Material: Phenolic supports are manufactured by Kingspan under the branding of 'Kooltherm'. The Phenolic support blocks are manufactured from a closed cell rigid material and have a high density foam appearance.

Finishes: The Phenolic supports are bore coated and are CFC / HCFC free with a density of either 60, 80 or 120 kg/m3. The blocks are manufactured using both 'cut from block' and 'continuous' production methods and subsequently have either a grey or pink finish with a factory applied branded foil to their outer.

Connections / Fixing Methods: The Phenolic supports are predominantly held in place around the pipework with a suitable metal pipe bracket, allowing fixings to be connected to the bracket whilst this remains isolated from the pipework.

Country of Origin: UK



40MM PHENOLIC BLOCK TO SUIT COPPER TUBE - SIZE CHART			
Size	Bag Qty	Pack Qty	Part No. - Phenolic
15mm		25	FA1540
22mm		20	FA2240
28mm		20	FA2840
35mm		20	FA3540
42mm		16	FA4240
54mm		13	FA5440
67mm		10	FA6740
76mm		10	FA7640
108mm			FA9840
133mm			FA9340
159mm			FA9940

ABOUT THE PRODUCT

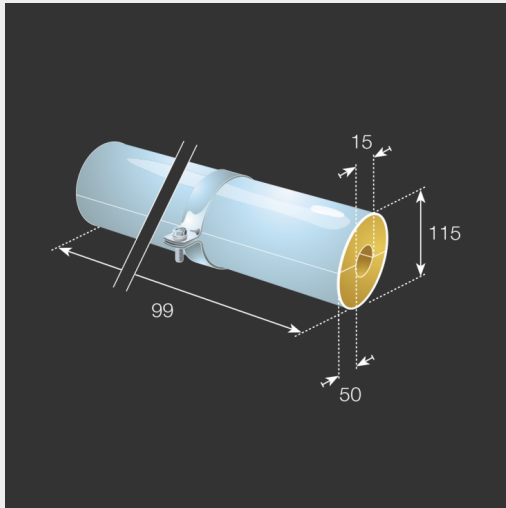
Description: **40mm PHENOLIC BLOCK TO SUIT COPPER TUBE** - 40mm thick Phenolic Blocks are used when thermal insulation of pipework and ducting is required. The primary function of the insulated pipe support is to isolate the pipework from the pipe support bracket itself in order to limit heat transfer to and from the pipework system whilst also limiting thermal bridging. The purpose of this is to allow a continuous vapour barrier to be carried through the support system. They are designed to support compressive loads imposed on pipework carrying water and other liquids at ambient temperatures.

Material: Phenolic supports are manufactured by Kingspan under the branding of 'Kooltherm'. The Phenolic support blocks are manufactured from a closed cell rigid material and have a high density foam appearance.

Finishes: The Phenolic supports are bore coated and are CFC / HCFC free with a density of either 60, 80 or 120 kg/m3. The blocks are manufactured using both 'cut from block' and 'continuous' production methods and subsequently have either a grey or pink finish with a factory applied branded foil to their outer.

Connections / Fixing Methods: The Phenolic supports are predominantly held in place around the pipework with a suitable metal pipe bracket, allowing fixings to be connected to the bracket whilst this remains isolated from the pipework.

Country of Origin: UK



50MM PHENOLIC BLOCK TO SUIT COPPER TUBE - SIZE CHART

Size	Bag Qty	Pack Qty	Part No. - Phenolic
15mm			FA1550
22mm			FA2250
28mm			FA2850
35mm			FA3550
42mm		10	FA4250
54mm			FA5450
67mm			FA6750
76mm		8	FA7650
108mm			FA9850
133mm		50	FA9350
159mm		50	FA9950

ABOUT THE PRODUCT

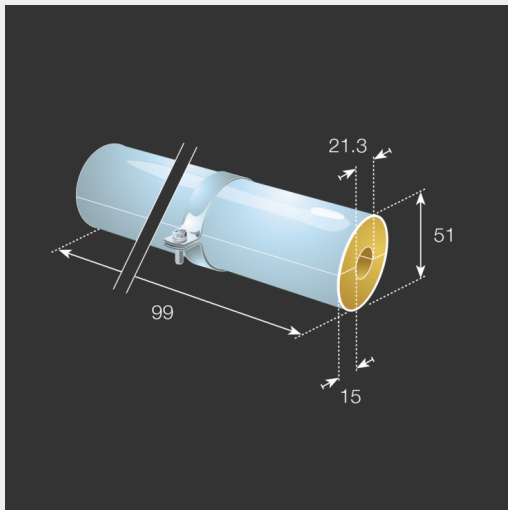
Description: 50mm PHENOLIC BLOCK TO SUIT COPPER TUBE - Phenolic Pipe Support Blocks are used when thermal insulation of pipework and ducting is required. The primary function of the insulated pipe support is to isolate the pipework from the pipe support bracket itself in order to limit heat transfer to and from the pipework system whilst also limiting thermal bridging. The purpose of this is to allow a continuous vapour barrier to be carried through the support system. They are designed to support compressive loads imposed on pipework carrying water and other liquids at ambient temperatures.

Material: Phenolic supports are manufactured by Kingspan under the branding of 'Kooltherm'. The Phenolic support blocks are manufactured from a closed cell rigid material and have a high density foam appearance.

Finishes: The Phenolic supports are bore coated and are CFC / HCFC free with a density of either 60, 80 or 120 kg/m3. The blocks are manufactured using both 'cut from block' and 'continuous' production methods and subsequently have either a grey or pink finish with a factory applied branded foil to their outer.

Connections / Fixing Methods: The Phenolic supports are predominantly held in place around the pipework with a suitable metal pipe bracket, allowing fixings to be connected to the bracket whilst this remains isolated from the pipework.

Country of Origin: UK



15MM PHENOLIC BLOCK FOR STEEL TUBE - SIZE CHART			
Size	Bag Qty	Pack Qty	Part No. - Phenolic
1/2"		96	FA0415
3/4"		76	FA0715
1"		64	FA0915
1 1/4"		54	FA1115
1 1/2"			FA1315
2"			FA1415
2 1/2"			FA1615
3"			FA1715
4"			FA1815
5"			FA1915

ABOUT THE PRODUCT

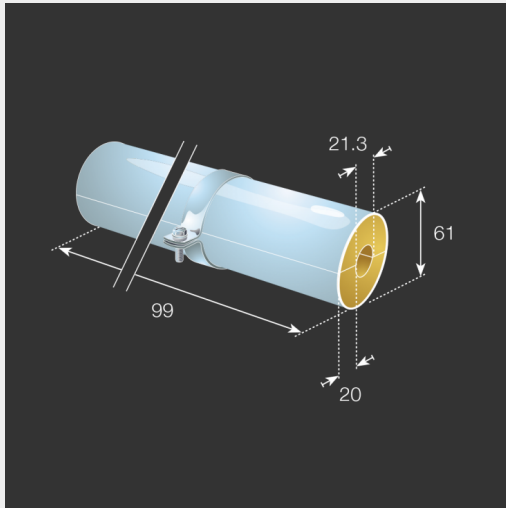
Description: 15mm PHENOLIC BLOCK FOR STEEL TUBE - Phenolic Pipe Support Block are used when thermal insulation of pipework and ducting is required. The primary function of the insulated pipe support is to isolate the pipework from the pipe support bracket itself in order to limit heat transfer to and from the pipework system whilst also limiting thermal bridging. The purpose of this is to allow a continuous vapour barrier to be carried through the support system. They are designed to support compressive loads imposed on pipework carrying water and other liquids at ambient temperatures.

Material: Phenolic supports are manufactured by Kingspan under the branding of 'Kooltherm'. The Phenolic support blocks are manufactured from a closed cell rigid material and have a high density foam appearance.

Finishes: The Phenolic supports are bore coated and are CFC / HCFC free with a density of either 60, 80 or 120 kg/m3. The blocks are manufactured using both 'cut from block' and 'continuous' production methods and subsequently have either a grey or pink finish with a factory applied branded foil to their outer.

Connections / Fixing Methods: The Phenolic supports are predominantly held in place around the pipework with a suitable metal pipe bracket, allowing fixings to be connected to the bracket whilst this remains isolated from the pipework.

Country of Origin: UK



20MM PHENOLIC BLOCK FOR STEEL TUBE - SIZE CHART			
Size	Bag Qty	Pack Qty	Part No. - Phenolic
1/2"		67	FA0420
3/4"		55	FA0720
1"		48	FA0920
1 1/4"		40	FA1120
1 1/2"		32	FA1320
2"		26	FA1420
2 1/2"		22	FA1620
3"		12	FA1720
4"			FA1820
5"			FA1920
6"			FA1920

ABOUT THE PRODUCT

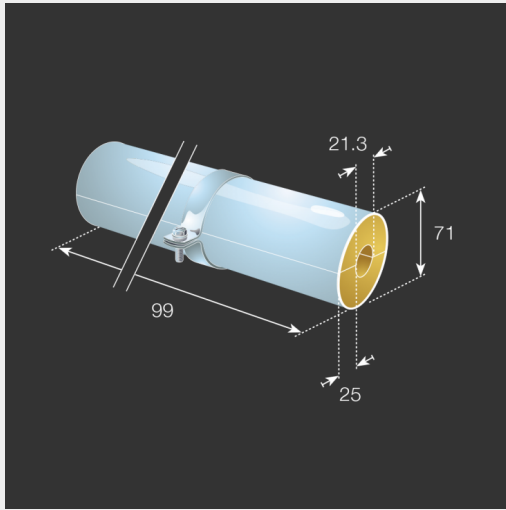
Description: 20mm PHENOLIC BLOCK FOR STEEL TUBE - Phenolic Block Support are used when thermal insulation of pipework and ducting is required. The primary function of the insulated pipe support is to isolate the pipework from the pipe support bracket itself in order to limit heat transfer to and from the pipework system whilst also limiting thermal bridging. The purpose of this is to allow a continuous vapour barrier to be carried through the support system. They are designed to support compressive loads imposed on pipework carrying water and other liquids at ambient temperatures.

Material: Phenolic supports are manufactured by Kingspan under the branding of 'Kooltherm'. The Phenolic support blocks are manufactured from a closed cell rigid material and have a high density foam appearance.

Finishes: The Phenolic supports are bore coated and are CFC / HCFC free with a density of either 60, 80 or 120 kg/m3. The blocks are manufactured using both 'cut from block' and 'continuous' production methods and subsequently have either a grey or pink finish with a factory applied branded foil to their outer.

Connections / Fixing Methods: The Phenolic supports are predominantly held in place around the pipework with a suitable metal pipe bracket, allowing fixings to be connected to the bracket whilst this remains isolated from the pipework.

Country of Origin: UK



25MM PHENOLIC BLOCK FOR STEEL TUBE - SIZE CHART			
Size	Bag Qty	Pack Qty	Part No. - Phenolic
1/2"		45	FA0425
3/4"		42	FA0725
1"		34	FA0925
1 1/4"		31	FA1125
1 1/2"		25	FA1325
2"		20	FA1425
2 1/2"		15	FA1625
3"		12	FA1725
4"		12	FA1825
5"		8	FA1925
6"		7	FA2025

ABOUT THE PRODUCT

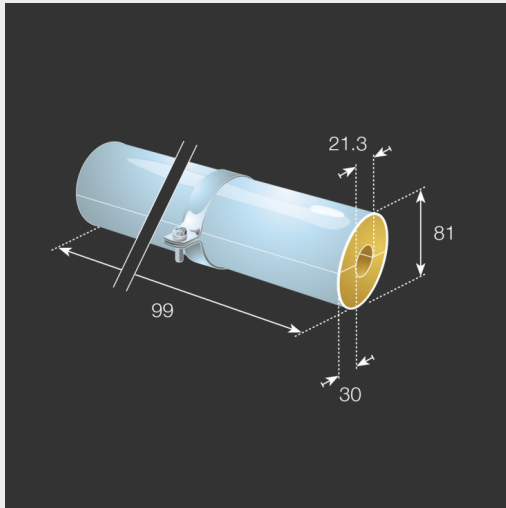
Description: 25mm PHENOLIC BLOCK FOR STEEL TUBE - Phenolic Block Pipe Supports are used when thermal insulation of pipework and ducting is required. The primary function of the insulated pipe support is to isolate the pipework from the pipe support bracket itself in order to limit heat transfer to and from the pipework system whilst also limiting thermal bridging. The purpose of this is to allow a continuous vapour barrier to be carried through the support system. They are designed to support compressive loads imposed on pipework carrying water and other liquids at ambient temperatures.

Material: Phenolic supports are manufactured by Kingspan under the branding of 'Kooltherm'. The Phenolic support blocks are manufactured from a closed cell rigid material and have a high density foam appearance.

Finishes: The Phenolic supports are bore coated and are CFC / HCFC free with a density of either 60, 80 or 120 kg/m3. The blocks are manufactured using both 'cut from block' and 'continuous' production methods and subsequently have either a grey or pink finish with a factory applied branded foil to their outer.

Connections / Fixing Methods: The Phenolic supports are predominantly held in place around the pipework with a suitable metal pipe bracket, allowing fixings to be connected to the bracket whilst this remains isolated from the pipework.

Country of Origin: UK



30MM PHENOLIC BLOCK FOR STEEL TUBE - SIZE CHART			
Size	Bag Qty	Pack Qty	Part No. - Phenolic
1/2"		36	FA0430
3/4"		30	FA0730
1"		27	FA0930
1 1/4"		24	FA1130
1 1/2"		22	FA1330
2"		16	FA1430
2 1/2"		12	FA1630
3"		10	FA1730
4"		10	FA1830
5"		7	FA1930
6"		6	FA2030

ABOUT THE PRODUCT

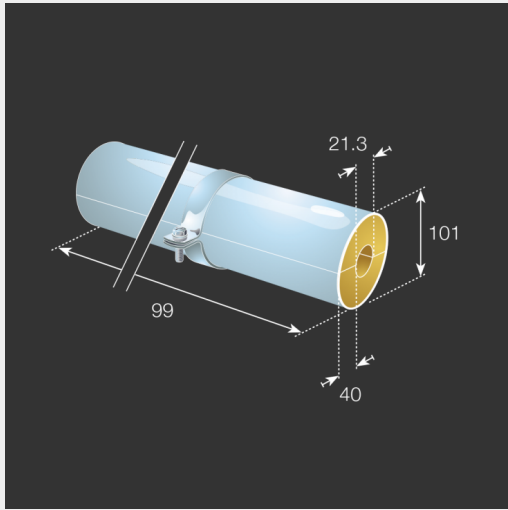
Description: 30mm PHENOLIC BLOCK FOR STEEL TUBE - Phenolic Block Pipe Supports are used when thermal insulation of pipework and ducting is required. The primary function of the insulated pipe support is to isolate the pipework from the pipe support bracket itself in order to limit heat transfer to and from the pipework system whilst also limiting thermal bridging. The purpose of this is to allow a continuous vapour barrier to be carried through the support system. They are designed to support compressive loads imposed on pipework carrying water and other liquids at ambient temperatures.

Material: Phenolic supports are manufactured by Kingspan under the branding of 'Kooltherm'. The Phenolic support blocks are manufactured from a closed cell rigid material and have a high density foam appearance.

Finishes: The Phenolic supports are bore coated and are CFC / HCFC free with a density of either 60, 80 or 120 kg/m3. The blocks are manufactured using both 'cut from block' and 'continuous' production methods and subsequently have either a grey or pink finish with a factory applied branded foil to their outer.

Connections / Fixing Methods: The Phenolic supports are predominantly held in place around the pipework with a suitable metal pipe bracket, allowing fixings to be connected to the bracket whilst this remains isolated from the pipework.

Country of Origin: UK



40MM PHENOLIC BLOCK FOR STEEL TUBE - SIZE CHART			
Size	Bag Qty	Pack Qty	Part No. - Phenolic
1/2"		20	FA0440
3/4"		20	FA0740
1"		20	FA0940
1 1/4"		16	FA1140
1 1/2"		14	FA1340
2"		10	FA1440
2 1/2"		10	FA1640
3"		7	FA1740
4"		8	FA1840
5"		6	FA1940
6"		5	FA2040

ABOUT THE PRODUCT

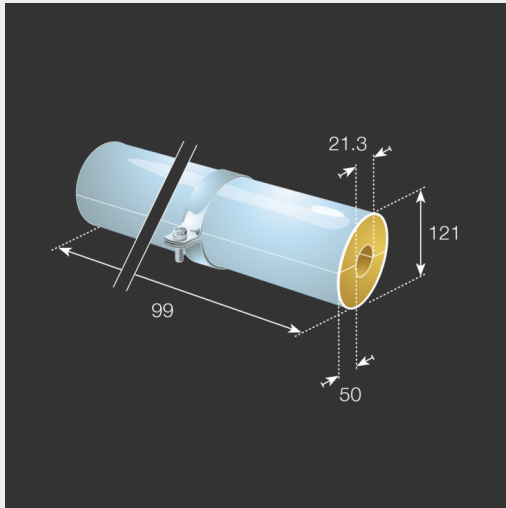
Description: 40mm PHENOLIC BLOCK FOR STEEL TUBE - Phenolic Block Pipe Supports are used when thermal insulation of pipework and ducting is required. The primary function of the insulated pipe support is to isolate the pipework from the pipe support bracket itself in order to limit heat transfer to and from the pipework system whilst also limiting thermal bridging. The purpose of this is to allow a continuous vapour barrier to be carried through the support system. They are designed to support compressive loads imposed on pipework carrying water and other liquids at ambient temperatures.

Material: Phenolic supports are manufactured by Kingspan under the branding of 'Kooltherm'. The Phenolic support blocks are manufactured from a closed cell rigid material and have a high density foam appearance.

Finishes: The Phenolic supports are bore coated and are CFC / HCFC free with a density of either 60, 80 or 120 kg/m³. The blocks are manufactured using both 'cut from block' and 'continuous' production methods and subsequently have either a grey or pink finish with a factory applied branded foil to their outer.

Connections / Fixing Methods: The Phenolic supports are predominantly held in place around the pipework with a suitable metal pipe bracket, allowing fixings to be connected to the bracket whilst this remains isolated from the pipework.

Country of Origin: UK



50MM PHENOLIC BLOCK FOR STEEL TUBE - SIZE CHART

Size	Bag Qty	Pack Qty	Part No. - Phenolic
1/2"			FA0450
3/4"			FA0750
1"			FA0950
1 1/4"		10	FA1150
1 1/2"			FA1350
2"			FA1450
2 1/2"		8	FA1650
3"		5	FA1750
4"		6	FA1850
5"			FA1950
6"		4	FA2050

ABOUT THE PRODUCT

Description: 50mm PHENOLIC BLOCK FOR STEEL TUBE - 50mm Phenolic Block Pipe Supports are used when thermal insulation of pipework and ducting is required. The primary function of the insulated pipe support is to isolate the pipework from the pipe support bracket itself in order to limit heat transfer to and from the pipework system whilst also limiting thermal bridging. The purpose of this is to allow a continuous vapour barrier to be carried through the support system. They are designed to support compressive loads imposed on pipework carrying water and other liquids at ambient temperatures.

Material: Phenolic supports are manufactured by Kingspan under the branding of 'Kooltherm'. The Phenolic support blocks are manufactured from a closed cell rigid material and have a high density foam appearance.

Finishes: The Phenolic supports are bore coated and are CFC / HCFC free with a density of either 60, 80 or 120 kg/m3. The blocks are manufactured using both 'cut from block' and 'continuous' production methods and subsequently have either a grey or pink finish with a factory applied branded foil to their outer.

Connections / Fixing Methods: The Phenolic supports are predominantly held in place around the pipework with a suitable metal pipe bracket, allowing fixings to be connected to the bracket whilst this remains isolated from the pipework.

Country of Origin: UK

Every effort has been made to ensure the accuracy of data within these pages. We cannot however be held liable for any discrepancies that may arise between this data and actual product. The dimensions are provided as a guide and we recommend contacting a company representative for confirmation. Greenaway Pipeline Products Ltd reserve the right to make changes without notice at any time.

Sales: 01922 743 322
Email: enquiries@greenaways.co.uk
Web: https://greenaways.co.uk