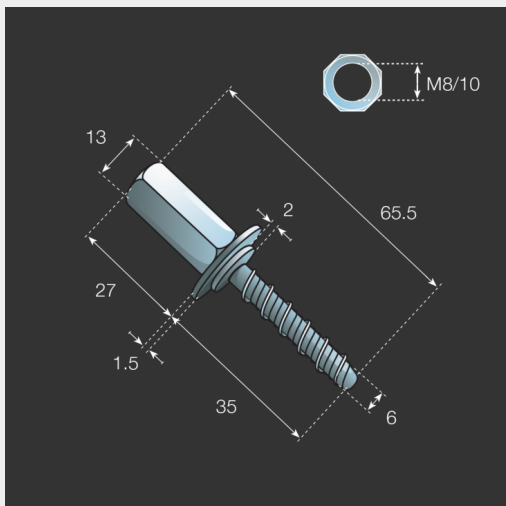


FIXINGS RANGE

RANGE SIZE CHARTS



CONCRETE SCREWS - SIZE CHART

Size	Bag Qty	Pack Qty	Part No. - Fixings
35mm		100	SZ1070/35
55mm		100	SZ1070/55

Benefits of Concrete Screws:

- Triple 'Hi-Low' patented thread design that ensures close contact with hole edges to increase pull-out loading.
- Can be Installed using Torx driver bit or 13mm impact socket.
- M8/10 Dual internal female thread for both 8mm and 10mm threaded fixings.
- Non-expansion design suited to temporary fixing thus enabling removal.
- Suitable for cracked and un-cracked concrete C20/25 – C50/60 as specified within ETA document.

If you have any technical questions about our concrete fixings, speak to an expert today on 01922 743 322. You can also download the Spec Sheet or Size chart for this product by clicking on the relevant DOWNLOAD icons. [More on ETA](#). See also our full [Fixings range](#) which includes other fixings for concrete.

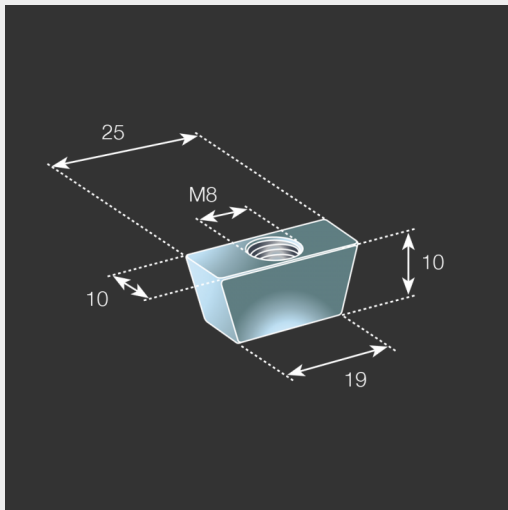
ABOUT THE PRODUCT

Concrete Screws with ETA (European Technical Assessment) Certification. SIZES: Concrete screws with M8 & M10 female fixings in both 35mm & 55mm lengths.

MATERIAL: Carbon steel anchor body. Zinc-plated coating Cr3+ layer. Click below for our technical sheets and ETA documentation for each size variant:



- [Concrete Screw Technical Information Sheet](#)
- [ETA Documentation - 35mm Variant](#)
- [ETA Documentation - 55mm Variant](#)



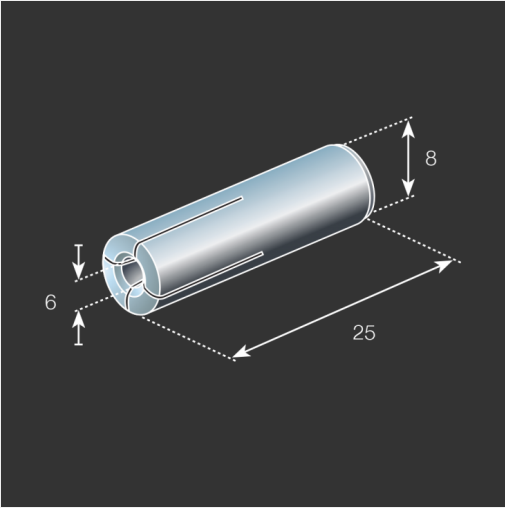
WEDGE NUTS, BZP STANDARD - SIZE CHART			
Size	Bag Qty	Pack Qty	Part No. - Fixings
M8	100		MZ0814
M10	100	600	MZ1014
M12			MZ1214

These products are part of our Fixings range. We supply a full range of UK fixings, accessories and bracketry. We have a full range of complimentary UK fixing products to suit all applications. Where applicable, supported by independent test analysis. See also our Pipe Clips page.

ABOUT THE PRODUCT

Standard BZP Wedge Nuts

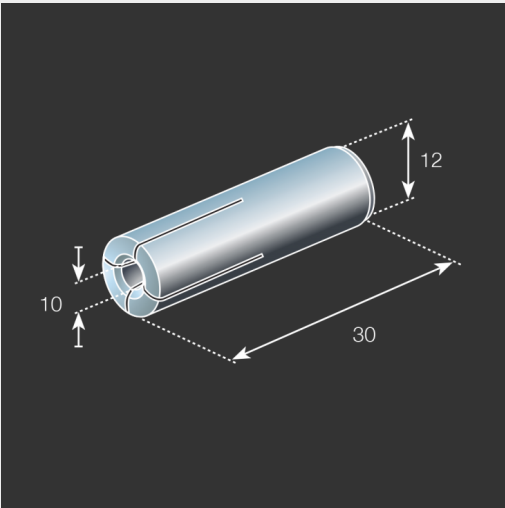
Greenaways standard **BZP Wedge Nuts** are available in M6, M8, M10 and M12 sizes. They are also often referred to as 'Vee' wedge nuts or 'V' nuts and are used on hollow ribbed composite steel decking or concrete decking systems. They are used when suspending threaded rod and pipe clips and are tapped to facilitate the use of threaded bar (studding) and bolts. They are made from mild steel with a Bright Zinc Plated finish.



NON-LIPPED BZP WEDGE ANCHORS - SIZE CHART			
Size	Bag Qty	Pack Qty	Part No. - Fixings
M6			SZ0639M
M8	100	1000	SZ0839M
M10	100	1000	SZ1039M

ABOUT THE PRODUCT

NON-LIPPED BZP WEDGE ANCHORS Greenaways Standard Non-Lipped BZP Wedge Anchors are available in sizes M6, M8 and M10. They are a form of expansion anchor used when installing and fixing into concrete to support threaded bar, bolts and other pipe clamps and pipe supports. They are otherwise known as 'drop in' anchors as the principal of drilling a suitably sized hole to allow them to drop in and sit flush with the surface is adopted. An internal expanding plug forces the anchor to expand when a setting tool is used causing the outer casing of the wedge anchor to become embedded into the walls of the drilled hole to create a secure fixing. They are manufactured from steel with a Bright Zinc Plated finish. They are also known as 'non-drill' anchors. See also our [Lipped Wedge Anchors](#).

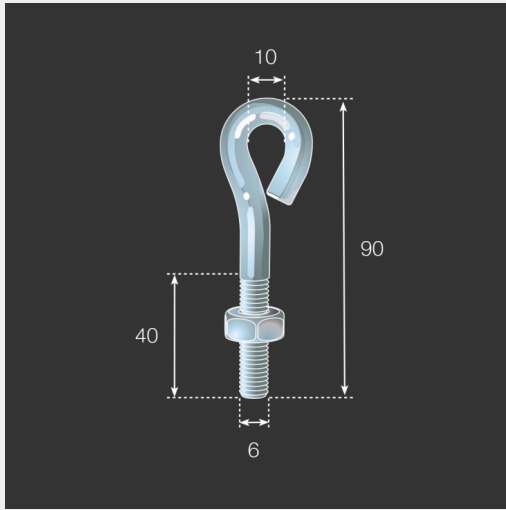


LIPPED BZP WEDGE ANCHORS - SIZE CHART			
Size	Bag Qty	Pack Qty	Part No. - Fixings
M10	100	1000	SZ1039S

ABOUT THE PRODUCT

LIPPED BZP WEDGE ANCHORS

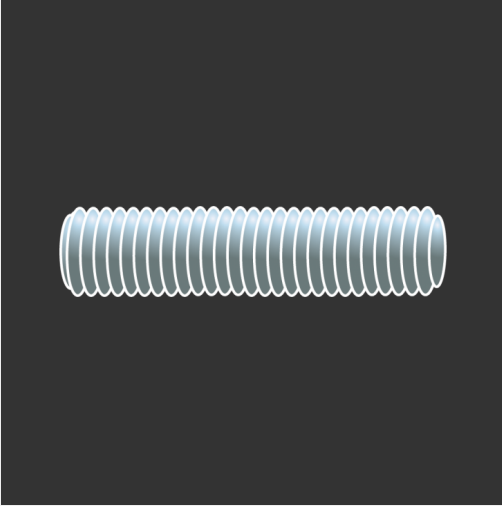
Greenaway offer alternative 'drop in' **wedge anchors** which allows for a drill hole to be made that does not need to be totally accurate in-depth. This 'lipped' wedge anchor has a flanged rim at the end which prevents the anchor from sitting deeper into the pre-drilled hole as the lip sits flush with the surface. These are available in M10 size. The principle is the same as the ['non-lipped' wedge anchor](#) as the internal expanding plug, when used with a setting tool, causes the outer casing of the anchor to embed into the walls of the pre-drilled hole to create a secure fixing. **Application** - Wedge anchors are used to create a fixing point for threaded rod (studding) in order to support pipe clamps and brackets. **Material** - They are made from steel and have a Bright Zinc Plated finish.



FOLDED EYE BOLTS BZP - SIZE CHART			
Size	Bag Qty	Pack Qty	Part No. - Fixings
M6 x80	100		SZ0638/80
M6 x100	100		SZ0638/100
M6 x150	100		SZ0638/150
M8 x80	100		SZ0838/80
M8 x100	100		SZ0838/100
M8 x150	50		SZ0838/150
M10 x80	100		SZ1038/80
M10 x100	50		SZ1038/100
M10 x150	50		SZ1038/150
M10 x200	50		SZ1038/200
M10 x250	25		SZ1038/250
M10 x300	25		SZ1038/300
M12 x80	50		SZ1238/80
M12 x100	25		SZ1238/100
M12 x150	25		SZ1238/150
M12 x200	TO ORDER		SZ1238/200
M12 x250	TO ORDER		SZ1238/250
M12 x300	TO ORDER		SZ1238/300
M16 x80	TO ORDER		SZ1638/80
M16 x100	TO ORDER		SZ1638/100
M16 x150	TO ORDER		SZ1638/150
M16 x200	TO ORDER		SZ1638/200
M16 x250	TO ORDER		SZ1638/250
M16 x300	TO ORDER		SZ1638/300

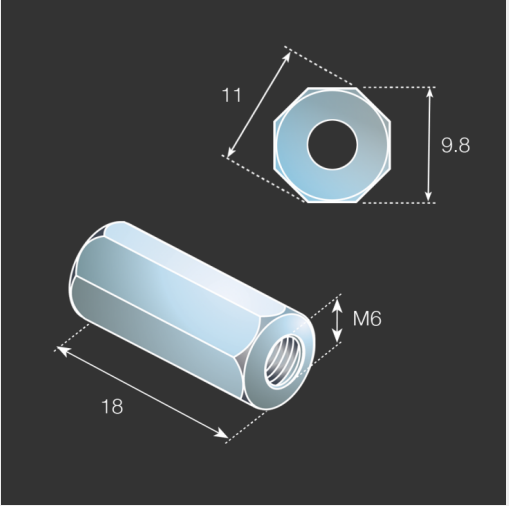
ABOUT THE PRODUCT

We have a wide range of BZP folded eye bolts from M6 right up to M16, from 80-300mm. The eye bolts are in our fixings range along with a broad selection of products including our new [concrete screw fixings](#), [hex bolts](#) and [hex nuts](#), [wedge anchors](#), [studding](#), [swivel hangers](#), [steel nippling](#), [hex increasing](#) and [reducing converters](#), [washers](#), [beam clamps](#) and [purlin clamps](#).



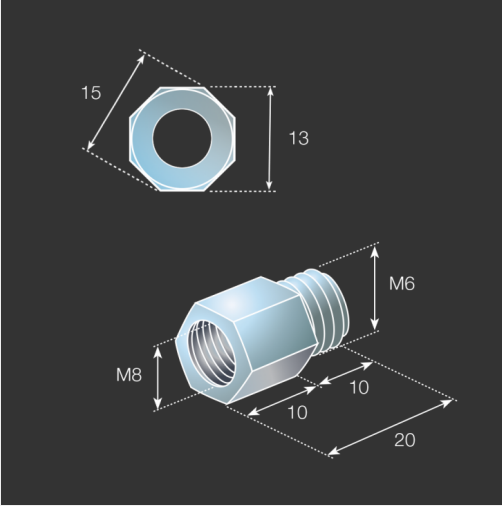
BZP MILD STEEL CUT STUDS - SIZE CHART

Size	Bag Qty	Pack Qty	Part No. - Fixings
M10 x20	100	1000	G7210/20
M10 x25	100	1000	G7210/25
M10 x30	100	1000	G7210/30
M10 x40	100	1000	G7210/40
M10 x50	100	800	G7210/50
M10 x60	100	500	G7210/60
M10 x70	100	500	G7210/70
M10 x80	100	500	G7210/80
M10 x90	100	400	G7210/90
M10 x100	100	400	G7210/100
M10 x110	100	400	G7210/110
M10 x120	100	400	G7210/120
M10 x125	100	400	G7210/125
M10 x130	100	400	G7210/130
M10 x140	100	400	G7210/140
M10 x150	100	400	G7210/150
M10 x170	100	400	G7210/170
M10 x200	100	400	G7210/200
M10 x500	100	400	G7210/500



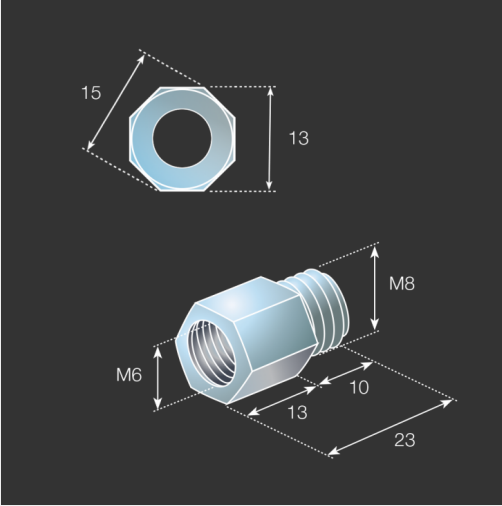
BZP HEXAGON STUDDING CONNECTORS - SIZE CHART

Size	Bag Qty	Pack Qty	Part No. - Fixings
M6	100	2500	SZ0613M
M8	100	1000	SZ0813M
M10	100	600	SZ1013M
M12	50	500	SZ1213M
M16	25		SZ1613M
M20	25		SZ2013M
M24			SZ2413M

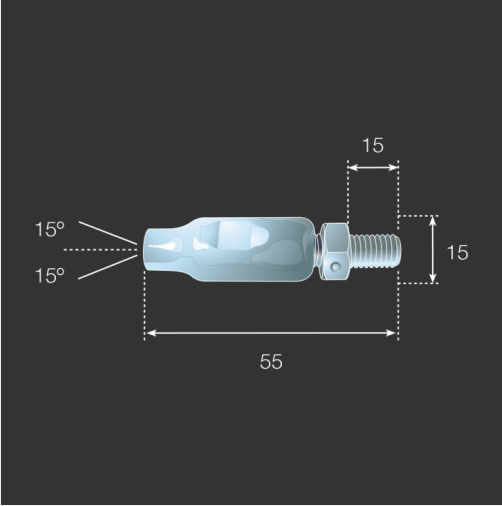


BZP HEXAGON INCREASING CONVERTORS (M X F) - SIZE CHART

Size	Bag Qty	Pack Qty	Part No. - Fixings
M6 x M8	100		SZ0629/8
M8 x M10	100		SZ0829M/10
M10 x M12	100		SZ1023M/12

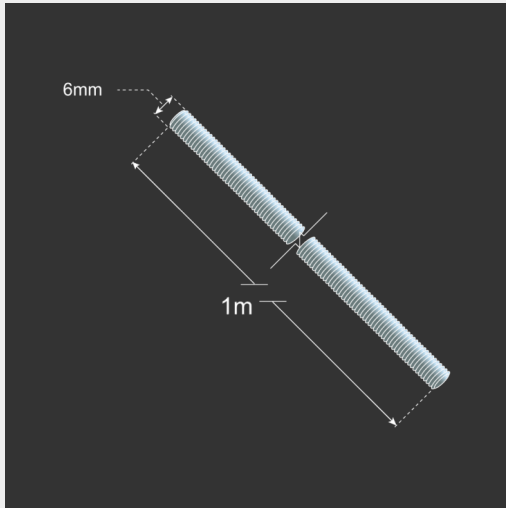


BZP HEXAGON REDUCING CONVERTORS (M X F) - SIZE CHART			
Size	Bag Qty	Pack Qty	Part No. - Fixings
M10 x M6	100		SZ1023/6
M12 x M10	100		SZ1223M/10
M10 x M8	100		SZ1023M/8
M8 x M6	100		SZ0823M/6



BZP BALL SWIVEL HANGERS - SIZE CHART

Size	Bag Qty	Pack Qty	Part No. - Fixings
M8			SZ0844M/15
M10	50	200	SZ1044M/15
M12			SZ1244M/20



BZP MILD STEEL STUDDING - SIZE CHART

Size	Bag Qty	Pack Qty	Part No. - Fixings
M6 x1m	50		SZ0609/L1
M6 x2m	50		SZ0609/L2
M6 x3m	25		SZ0609/L3
M8 x1m	25		SZ0809/L1
M8 x2m	25		SZ0809/L2
M8 x3m	20		SZ0809/L3
M10 x1m	25		SZ1009/L1
M10 x2m	20		SZ1009/L2
M10 x3m	15		SZ1009/L3
M12 x1m	20		SZ1209/L1
M12 x2m	10		SZ1209/L2
M12 x3m	10		SZ1209/L3
M16 x1m	5		SZ1609/L1
M16 x2m	5		SZ1609/L2
M16 x3m	5		SZ1609/L3
M20 x1m	5		SZ2009/L1
M20 x2m	5		SZ2009/L2
M20 x3m	3		SZ2009/L3
M24 x1m	3		SZ2409/L1
M24 x3m	2		SZ2409/L3

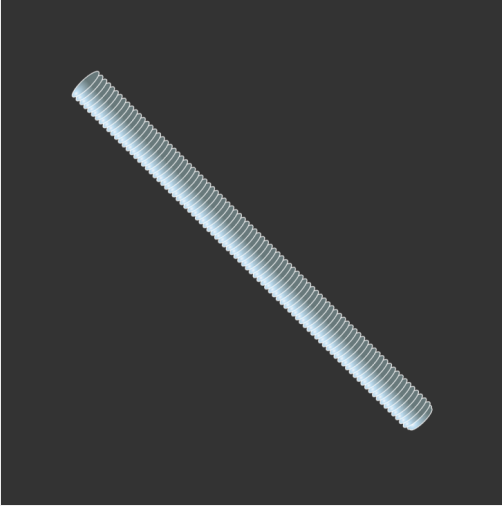
ABOUT THE PRODUCT

INDEPENDENT SUPPORTING DATA for our Mild Steel Studding



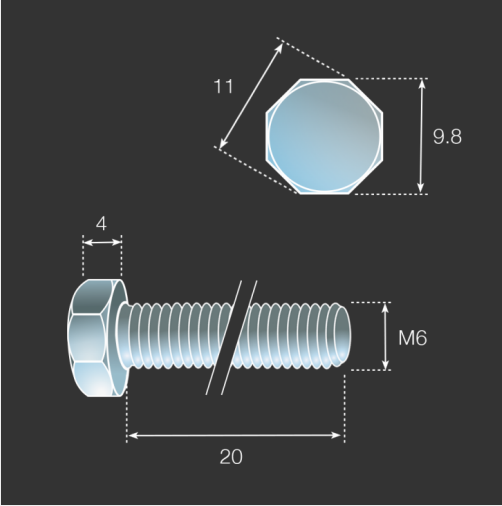
[Click the link or icon to view and download the Breaking Load test results for M6 through to](#)

[M24 threaded rod.](#)



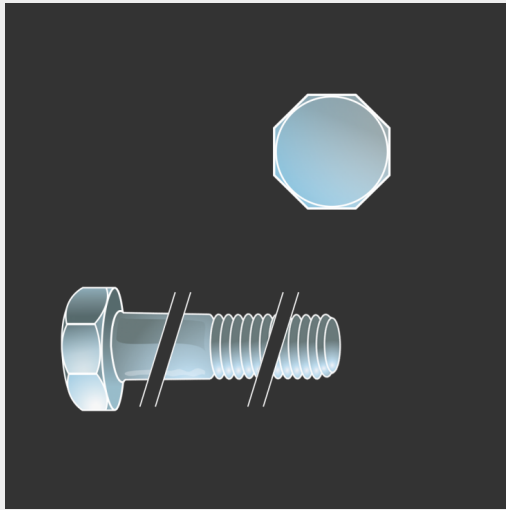
BSP STEEL NIPPLING SELF COLOUR (1 METRE LENGTH) - SIZE CHART

Size	Bag Qty	Pack Qty	Part No. - Fixings
1/4"			SS0209/1
3/8"			SS0309/1
1/2"			SS0409/1



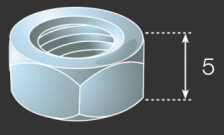
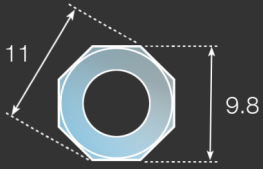
HIGH TENSILE BZP SET SCREWS – GRADE 8.8 - SIZE CHART

Size	Bag Qty	Pack Qty	Part No. - Fixings
M6 x20			G900620
M6 x25			G900625
M6 x30			G900630
M6 x40			G900640
M6 x50			G900650
M6 x60			G900660
M6 x80			G900680
M6 x100			G9006100
M8 x20			G900820
M8 x25			G900825
M8 x30			G900830
M8 x35			G900835
M8 x40			G900840
M8 x45			G900845
M8 x50			G900850
M8 x60			G900860
M8 x80			G900880
M8 x100			G9008100
M10 x20			G901020
M10 x25			G901025
M10 x30			G901030
M10 x35			G901035
M10 x40			G901040
M10 x45			G901045
M10 x50			G901050
M10 x60			G901060
M10 x65			G901065
M10 x70			G901070
M10 x75			G901075
M10 x80			G901080
M10 x90			G901090
M10 x100			G9010100
M12 x20			G901220
M12 x25			G901225
M12 x30			G901230
M12 x35			G901235
M12 x40			G901240
M12 x45			G901245
M12 x50			G901250
M12 x55			G901255
M12 x60			G901260
M12 x65			G901265
M12 x70			G901270



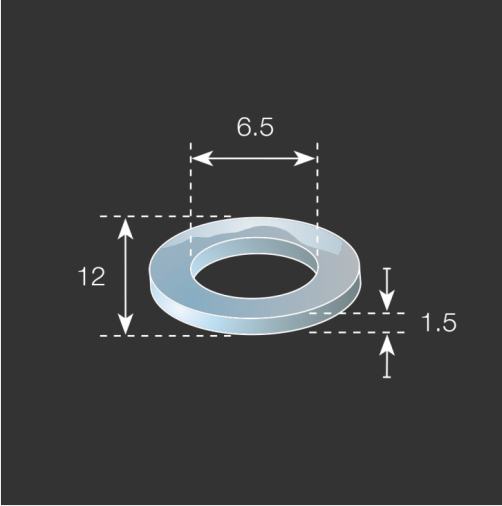
HIGH TENSILE BZP HEX HEAD BOLTS – GRADE 8.8 - SIZE CHART

Size	Bag Qty	Pack Qty	Part No. - Fixings
M10 x20			G911020
M10 x25			G911025
M10 x30			G911030
M10 x35			G911035
M10 x40			G911040
M10 x45			G911045
M10 x50			G911050
M10 x60			G911060
M10 x65			G911065
M10 x70			G911070
M10 x75			G911075
M10 x80			G911080
M10 x90			G911090
M10 x100			G9110100
M12 x20			G911220
M12 x25			G911225
M12 x30			G911230
M12 x35			G911235
M12 x40			G911240
M12 x45			G911245
M12 x50			G911250
M12 x55			G911255
M12 x60			G911260
M12 x65			G911265
M12 x70			G911270
M12 x75			G911275
M12 x80			G911280
M12 x90			G911290
M12 x100			G9112100
M16 x35			G911635
M16 x40			G911640
M16 x45			G911645
M16 x50			G911650
M16 x55			G911655
M16 x60			G911660
M16 x65			G911665
M16 x70			G911670
M16 x75			G911675
M16 x80			G911680
M16 x90			G911690
M16 x100			G9116100
M16 x110			G9116110
M16 x120			G9116120

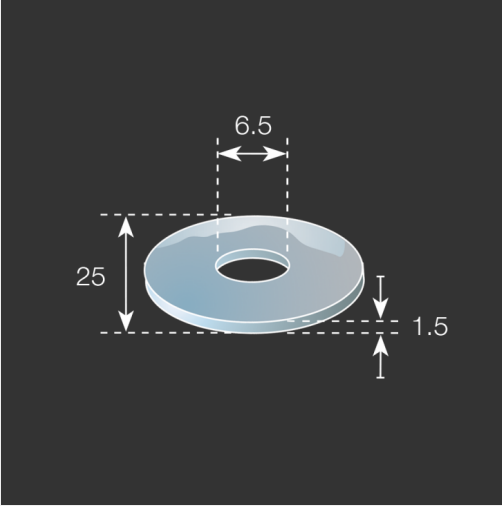


BZP HEX FULL NUTS GRADE 8 - SIZE CHART

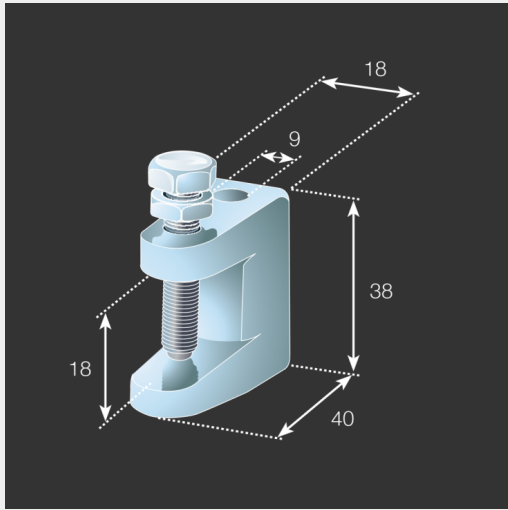
Size	Bag Qty	Pack Qty	Part No. - Fixings
M6	100		SZ0618M
M8	100		SZ0818M
M10	100		SZ1018M
M12	100		SZ1218M
M16	25		SZ1618M
M20	25		SZ2018M
M24			SZ2418M



BZP MILD STEEL FLAT WASHERS - SIZE CHART			
Size	Bag Qty	Pack Qty	Part No. - Fixings
M6	100		SZ0633
M8	100		SZ0833
M10	100		SZ1033
M12	100		SZ1233
M16	100		SZ1633
M20	5		SZ2033
M24	5		SZ2433



BZP MILD STEEL PENNY WASHERS - SIZE CHART			
Size	Bag Qty	Pack Qty	Part No. - Fixings
M6 (25mm)	100		G9406/25
M6	100		G9406
M8	100		G9408
M10 (25mm)	100		G9410/25
M10	100		G9410
M12	100		G9412

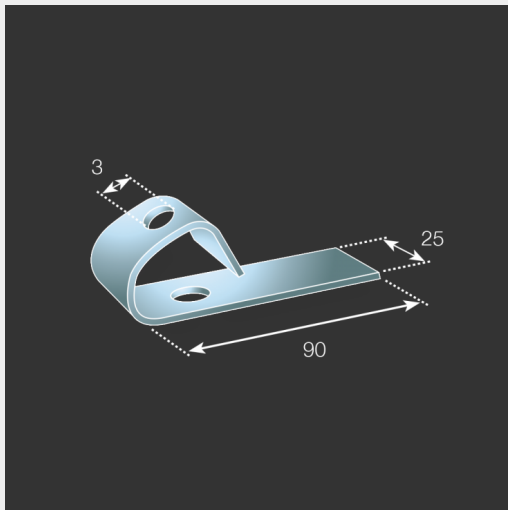


BEAM CLAMPS BZP FM APPROVED - SIZE CHART

Size	Bag Qty	Pack Qty	Part No. - Fixings
M8	50	200	MZ0808/NA
M10	50		MZ1008
M12	50		MZ1208

ABOUT THE PRODUCT

These are Greenaway's BEAM CLAMPS BZP, FM APPROVED . Greenaway FM approved beam clamps BZP or girder clamps are available in M8, M10 and M12 sizes. (A threaded clamp option is also available). Also known as flange clamps they are used to suspend or fix threaded rod and pipe clamps to an 'I' Beam, or 'H' beam (Rolled Steel Joist- RSJ or girder). They do not require drilling or welding and are designed for use throughout sprinkler systems, and other heating, ventilating and air - conditioning installations where steel structures allow. They are also FM and UL approved where stated and are made from cast iron with a bright zinc plated coating. The hexagon head screw supplied with cup point end is made of High Tensile steel (Grade 8.8) in a Bright Zinc Plated finish to help prevent sideways movement along the beam.



'D' PURLIN CLIPS BZP - SIZE CHART			
Size	Bag Qty	Pack Qty	Part No. - Fixings
M8	50		SZ0830
M10	100		SZ1030
M12	50		SZ1230

ABOUT THE PRODUCT

D' PURLIN CLIPS BZP

Greenaways 'D' Purlin clips or 'D' Purlin Hangers are made from mild steel with a Bright Zinc Plated finish. They are available in M8, M10 and M12 sizes. They are used to fix threaded bar (studding) to a 'Z' purlin. (A purlin is a lightweight, horizontal beam used in structural roofing supports). The purlin clip can be positioned against the bottom flange of the roofing purlin beam to allow the threaded rod to be suspended from the purlin section. From this installation, pipe clips and clamps can be additionally hung.

Every effort has been made to ensure the accuracy of data within these pages. We cannot however be held liable for any discrepancies that may arise between this data and actual product. The dimensions are provided as a guide and we recommend contacting a company representative for confirmation. Greenaway Pipeline Products Ltd reserve the right to make changes without notice at any time.

Sales: 01922 743 322
Email: enquiries@greenaways.co.uk
Web: <https://greenaways.co.uk>