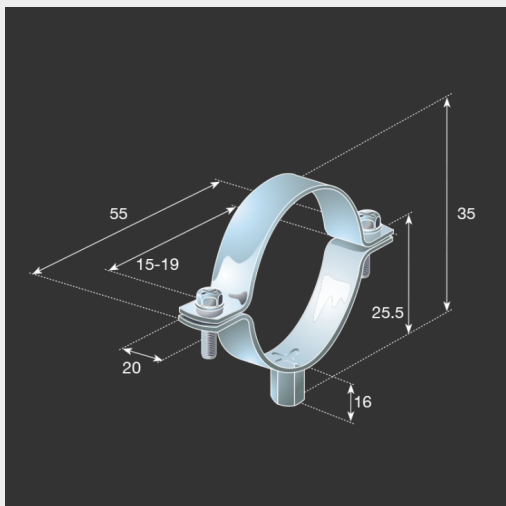


STAINLESS STEEL PIPE CLIPS RANGE

RANGE SIZE CHARTS



STAINLESS STEEL UNLINED CLIPS, GRADE 316 A4 M8/10 - SIZE CHART

Size	Bag Qty	Pack Qty	Part No. - Stainless
15mm / 3/8"	50	200	ST0324M
22mm / 1/2"	50	200	ST0424M
28mm / 3/4"	50	200	ST0724M
35mm / 1"	25	200	ST0924M
42mm / 1 1/4"	25	200	ST1124M
1 1/2"	25	100	ST1324M
54mm	25	100	ST5424M
2"	25	100	ST1424M
67mm	25	100	ST6724M
76mm / 2 1/2"	20	100	ST1624M
83mm	20	100	ST8324M
3"	20	100	ST1724M
100mm	10	100	ST10024M
108mm	10	50	ST9824M
4"	10	50	ST1824M
125mm	10	50	ST12524M
5"	5	50	ST1924M
150mm	5	50	ST15024M
6" / 165mm	5	50	ST9924M
6" / 168mm	5	50	ST2024M
200mm	5	10	ST20024M
8"	5	10	ST2124M

ABOUT THE PRODUCT

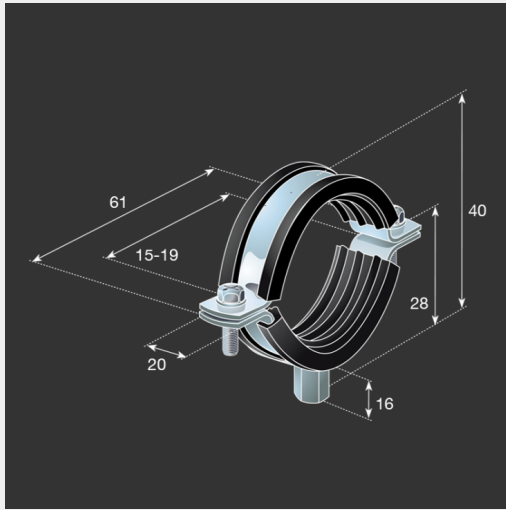
Description: *Stainless Steel Unlined Clips* - Stainless Steel Pipe Supports and associated products are designed and manufactured to support primarily Stainless Steel pipework though can be used in various other applications due to their increased resistance to corrosion.

Material: Manufactured in either Grade 304 (A2) or Grade 316 (A4 -Marine Grade) Stainless Steel where applicable. Some products have EPDM rubber lining to provide cushioning between pipe and bracket, whilst also providing limited noise suppression.

Finishes: The finish on the Stainless Steel can either be dull (non reflective), smooth or partly reflective dependant on the production process and product itself.

Connections / Fixing Methods: Dependant on product. Metric bosses available only on Rubber Lined and Unlined Clips.

Country of Origin: China and UK where applicable.



STAINLESS STEEL RUBBER LINED CLIPS, GRADE 316 A4 M8/10 - SIZE CHART

Size	Bag Qty	Pack Qty	Part No. - Stainless
15mm / 3/8"	50	200	ST0324/RL
22mm / 1/2"	50	200	ST0424/RL
28mm / 3/4"	50	200	ST0724/RL
35mm / 1"	50	200	ST0924/RL
42mm / 1 1/4"	25	100	ST1124/RL
1 1/2"	25	100	ST1324/RL
54mm	25	100	ST5424/RL
2"	25	100	ST1424/RL
67mm	25	100	ST6724/RL
2 1/2"	25	100	ST1624/RL
3"	25	100	ST1724/RL
100mm	25	100	ST10024/RL
108mm	25	100	ST9824/RL
4"	25	100	ST1824/RL
5"	10	50	ST1924/RL
6" / 165mm	10	50	ST9924/RL
6" / 168mm	10	50	ST2024/RL

ABOUT THE PRODUCT

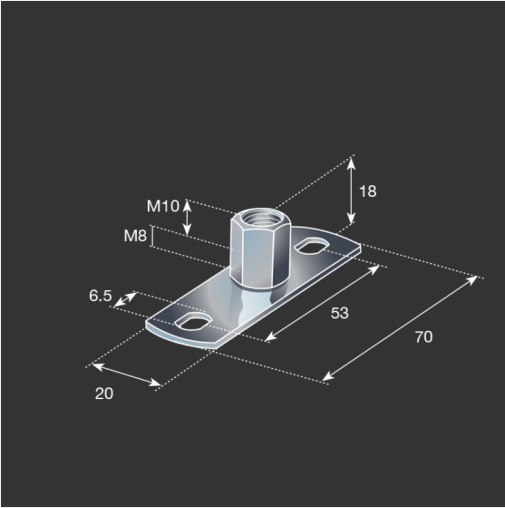
Description: Stainless Steel Rubber Lined Clips, Stainless Steel Pipe Supports and associated products are designed and manufactured to support primarily Stainless Steel pipework though can be used in various other applications due to their increased resistance to corrosion.

Material: Manufactured in either Grade 304 (A2) or Grade 316 (A4 -Marine Grade) Stainless Steel where applicable. Some products have EPDM rubber lining to provide cushioning between pipe and bracket, whilst also providing limited noise suppression.

Finishes: The finish on the Stainless Steel can either be dull (non reflective), smooth or partly reflective dependant on the production process and product itself.

Connections / Fixing Methods: Dependant on product. Metric bosses available only on Rubber Lined and Unlined Clips.

Country of Origin: China and UK where applicable.



STAINLESS STEEL FEMALE BACKPLATES, GRADE 316 A4 M8/10 - SIZE CHART			
Size	Bag Qty	Pack Qty	Part No. - Stainless
M8/M10	100	500	ST0804M

ABOUT THE PRODUCT

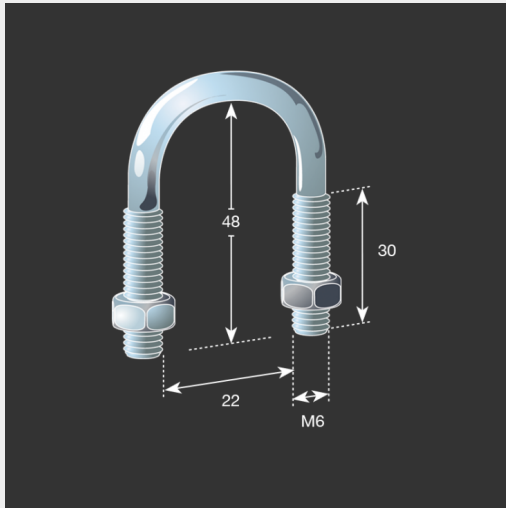
Description: *Stainless Steel Female Backplates*, Stainless Steel Pipe Supports and associated products are designed and manufactured to support primarily Stainless Steel pipework though can be used in various other applications due to their increased resistance to corrosion.

Material: Manufactured in either Grade 304 (A2) or Grade 316 (A4 -Marine Grade) Stainless Steel where applicable. Some products have EPDM rubber lining to provide cushioning between pipe and bracket, whilst also providing limited noise suppression.

Finishes: The finish on the Stainless Steel can either be dull (non reflective), smooth or partly reflective dependant on the production process and product itself.

Connections / Fixing Methods: Dependant on product. Metric bosses available only on Rubber Lined and Unlined Clips.

Country of Origin: China and UK where applicable.



STAINLESS STEEL U BOLTS, GRADE 316 A4 C/W 2 NUTS - SIZE CHART

Size	Bag Qty	Pack Qty	Part No. - Stainless
1/2"	100		SS0416
3/4"	100		SS0716
1"	50		SS0916
1 1/4"	50		SS1116
1 1/2"	50		SS1316
2"	50		SS1416
2 1/2"	25		SS1616
3"	25		SS1716
4"	20		SS1816
5"	1		SS1916
6"	1		SS2016
8"	1		SS2116
10"	1		SS8016
12"	1		SS8216

ABOUT THE PRODUCT

Description: *Stainless Steel U Bolts*

Material: Our Stainless Steel U Bolts are manufactured to the highest standards. Manufactured in either Grade 304 (A2) or Grade 316 ([A4 - Marine Grade](#)) Stainless Steel where applicable. Some products have EPDM rubber lining to provide cushioning between pipe and bracket, whilst also providing limited noise suppression.

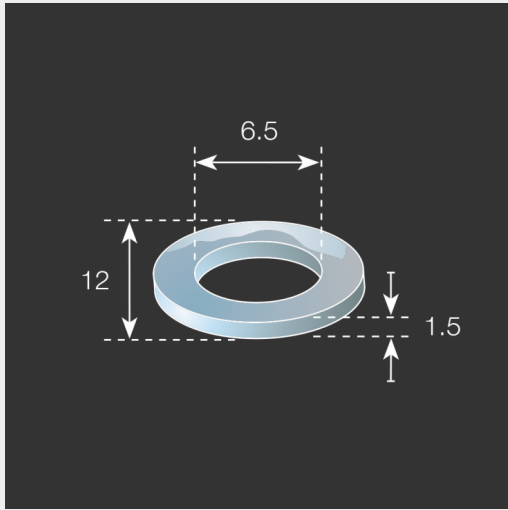
Finishes: The finish on the Stainless Steel can either be dull (non-reflective), smooth, or partly reflective depending on the production process and product itself.

Sizes: Sizes include; 1/2", 3/4", 1", 1 & 1/4", 2", 2 & 1/2", 3", 4", 5", 6", 8", 10" AND 12". Our stainless steel U bolts come in the following thread sizes: M6, M8 U Bolts, M10, M12 and M16.

Connections / Fixing Methods: Dependant on the product. Metric bosses are available only on [Rubber Lined](#) and Unlined Clips.

Country of Origin: China and UK where applicable.

All of our U Bolts, pipe clips, channel lengths, channel fixings and associated products are designed and manufactured to support primarily Stainless Steel pipework. However, they can be used in various other applications due to their increased resistance to corrosion.



STAINLESS STEEL FLAT WASHERS, GRADE 304 A2 - SIZE CHART			
Size	Bag Qty	Pack Qty	Part No. - Stainless
M6	100		SS0633
M8	100		SS0833
M10	100		SS1033
M12	100		SS1233
M16	100		SS1633

ABOUT THE PRODUCT

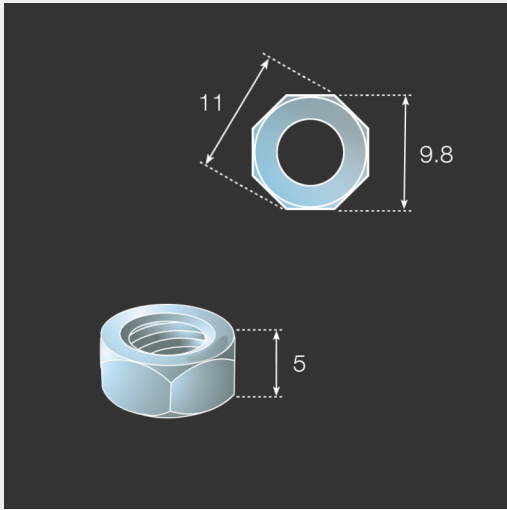
Description: *Stainless Steel Flat Washers* - Stainless Steel Pipe Supports and associated products are designed and manufactured to support primarily Stainless Steel pipework though can be used in various other applications due to their increased resistance to corrosion.

Material: Manufactured in either Grade 304 (A2) or Grade 316 (A4 -Marine Grade) Stainless Steel where applicable. Some products have EPDM rubber lining to provide cushioning between pipe and bracket, whilst also providing limited noise suppression.

Finishes: The finish on the Stainless Steel can either be dull (non-reflective), smooth or partly reflective dependant on the production process and product itself.

Connections / Fixing Methods: Dependant on the product. Metric bosses available only on Rubber Lined and Unlined Clips.

Country of Origin: China and UK where applicable.



STAINLESS STEEL HEX NUTS, GRADE 304 A2 - SIZE CHART			
Size	Bag Qty	Pack Qty	Part No. - Stainless
M6	100		SS0618M
M8	100		SS0818M
M10	100		SS1018M
M12	100		SS1218M
M16	100		SS1618M

ABOUT THE PRODUCT

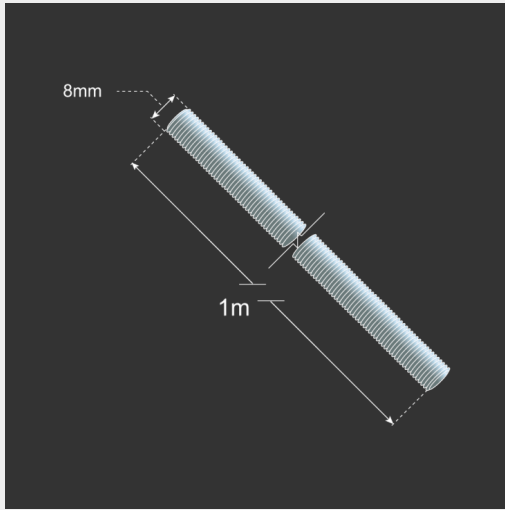
Description: *Stainless Steel Hex Nuts*, Stainless Steel Pipe Supports and associated products are designed and manufactured to support primarily Stainless Steel pipework though can be used in various other applications due to their increased resistance to corrosion.

Material: Manufactured in either Grade 304 (A2) or Grade 316 (A4 -Marine Grade) Stainless Steel where applicable. Some products have EPDM rubber lining to provide cushioning between pipe and bracket, whilst also providing limited noise suppression.

Finishes: The finish on the Stainless Steel can either be dull (non reflective), smooth or partly reflective dependant on the production process and product itself.

Connections / Fixing Methods: Dependant on product. Metric bosses available only on Rubber Lined and Unlined Clips.

Country of Origin: China and UK where applicable.



STAINLESS STEEL STUDDING (1 METRE LENGTHS), GRADE 304 A2 - SIZE CHART

Size	Bag Qty	Pack Qty	Part No. - Stainless
M8			SS0809/1
M10			SS1009/1
M12			SS1209/1

ABOUT THE PRODUCT

Description: 1 Metre Lengths of **Stainless Steel Studding**, Stainless Steel Pipe Supports and associated products are designed and manufactured to support primarily Stainless Steel pipework though can be used in various other applications due to their increased resistance to corrosion.

Material: Manufactured in either Grade 304 (A2) or Grade 316 (A4 -Marine Grade) Stainless Steel where applicable. Some products have EPDM rubber lining to provide cushioning between pipe and bracket, whilst also providing limited noise suppression.

Finishes: The finish on the Stainless Steel can either be dull (non reflective), smooth or partly reflective dependant on the production process and product itself.

Connections / Fixing Methods: Dependant on product. Metric bosses available only on Rubber Lined and Unlined Clips.

Country of Origin: China and UK where applicable.

Every effort has been made to ensure the accuracy of data within these pages. We cannot however be held liable for any discrepancies that may arise between this data and actual product. The dimensions are provided as a guide and we recommend contacting a company representative for confirmation. Greenaway Pipeline Products Ltd reserve the right to make changes without notice at any time.

Sales: 01922 743 322

Email: enquiries@greenaways.co.uk

Web: <https://greenaways.co.uk>